

SBS SERIES

Soft Bearing Suspension for dynamic
balancing

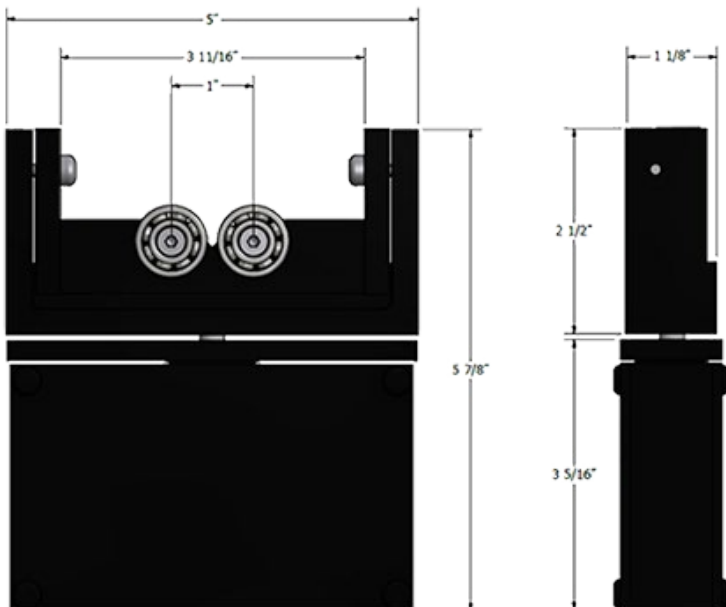
SBS-30



The SBS-30 guarantees the highest precision floating suspension components leading to the very best horizontally oriented balancing of low weight rotors.

Characteristics

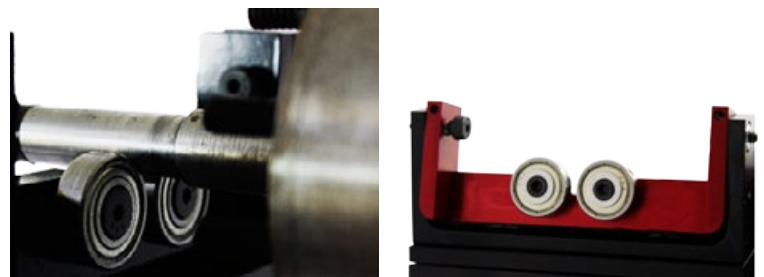
The SBS-30 has a capacity of up to 30 kg (15kg each base) and permit the balancing of rotors with a shaft diameter of up to 63.5mm (2.5in).



Technical Specs

Max symmetric load	30 kg (66 lb) Pair / 15 kg (33 lb) Unit
Minimum load	0.1 kg (0.22 lb)
Dimensions (L x W x H)	126 x 32 x 134 mm
Weight	0.9 kg (2 lb) / Unit
Maximum axial load	2.21 N (0.50 lbf)
Bearing width	8 mm (0.313 in)
Maximum shaft diameter	63.5 mm (2.5 in)
Precision	0.01 g.mm/kg
Lock System	No
Elevation system	No
Accelerometer	Optional

- Soft Bearing suspension system
- Cantilever supports
- High sensitivity and precision
- Easy installation
- Compatible with any type of accelerometer



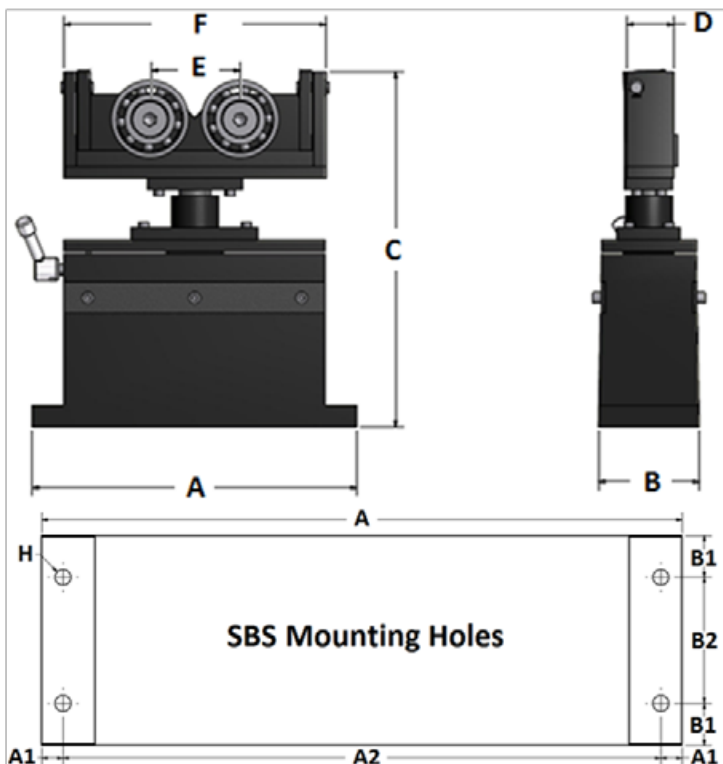
SBS-300

The **SBS-300** soft bearing suspension system and components balances any rotating part with the highest precision.



Characteristics

The SBS-300 can support up to 300kg (150kg each base) and permits diameters up to 101mm (4in). The SBS has an elevation screw to adjust the height in case the supports of the rotor has different diameters up to 25.4 mm (1in). With floating 3-Axis liberty the SBS can auto-align the rotor, thus permitting easy rotor loading and unloading.



Technical Specs

Max symmetric load	300 kg (660 lb) Pair / 150 kg (330 lb) Unit
Minimum load	1 kg (2.20 lb)
Dimensions (L x W x H)	260 x 81 x 286 mm (10.25 x 3.187 x 11.25 in)
Weight	12 kg (26 lb) / Unit
Maximum axial load	22.1 N (4.96 lbf)
Bearing width	16 mm (0.630 in)
Maximum shaft diameter	15 mm (0.600 in)
Maximum shaft diameter With negative load supports	101 mm (4 in)
Precision	0.01 g.mm/kg
Lock system	Yes
Elevation screw	12.70 mm (0.5 in)
Accelerometer	Optional

A	260.4 mm / 10.25"	C	289 mm / 11.375"
A1	12.7 mm / 0.5"	D	38.1 mm / 1.5"
A2	238 mm / 9.375"	E	73 mm / 2.875"
B	81 mm / 3.192"	F	212.7 mm / 8.375"
B1	15.1 mm / .596"	G	9.5 mm / 0.375"
B2	50.8 mm / 2"	H	12.7 mm / 0.5"

SBS-1000



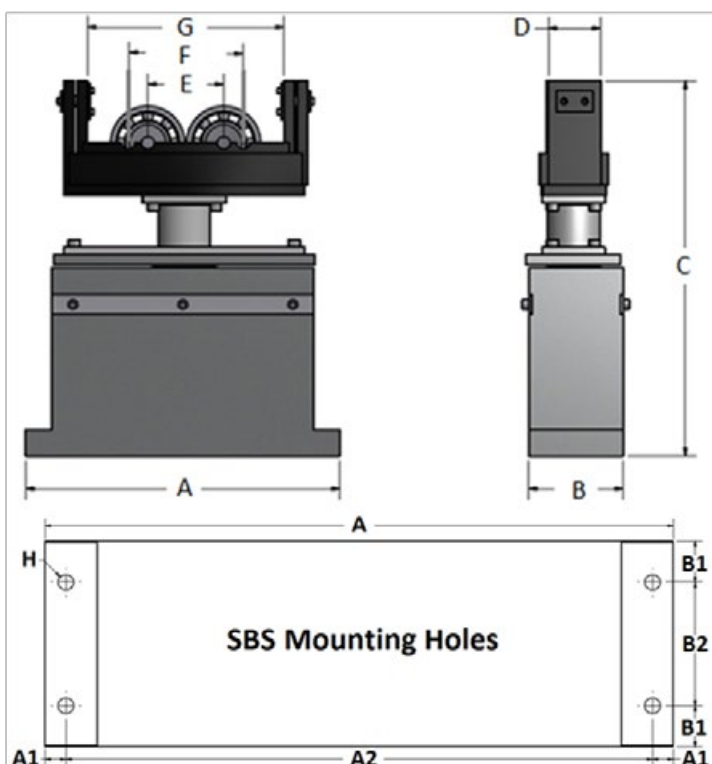
The **SBS-1000** gives you the accuracy and precision you need for all your medium duty rotors.

Characteristics

The SBS-1000 can support up to 1000kg (500kg each base) and the bearings have 2 positions permitting diameters up to 152mm (6in). The SBS has an elevation screw to adjust the height in case that the rotor supports have different diameters up to 25.4 mm (1in), that also improving the leveling.

Technical Specs

Max symmetric load	1000 kg (2200 lb) Pair / 500 kg (1100 lb) Unit
Minimum load	3 kg (6.6 lb)
Dimensions (L x W x H)	322 x 95 x 330 mm (12.682 x 3.75 x 13 in)
Weight	20 kg (44 lb) / Unit
Maximum axial load	76.5 N (16.53 lbf)
Bearing width	16 mm (0.630 in)
Maximum shaft diameter	20 mm (0.788 in)
Maximum shaft diameter <small>With negative load supports</small>	152 mm (6 in)
Precision	0.01 g.mm/kg
Lock system	Yes
Elevation screw	12.70 mm (0.5 in)
Accelerometer	Optional



A	322.6 mm / 12.7"
A1	15 mm / 0.6"
A2	292 mm / 11.5"
B	95 mm / 3.75"
B1	15.8 mm / .622"
B2	63.5 mm / 2.5"

C	330 mm / 13"
D	50.8 mm / 2"
E	66.7 mm / 2.625"
F	102 mm / 4"
G	178 mm / 7"
H	12.7 mm / 0.5"

SBS-2000

With the **SBS-2000** you can balance from 10kg to 2 tons with a quality grade superior greater than **ISO G0.4**.

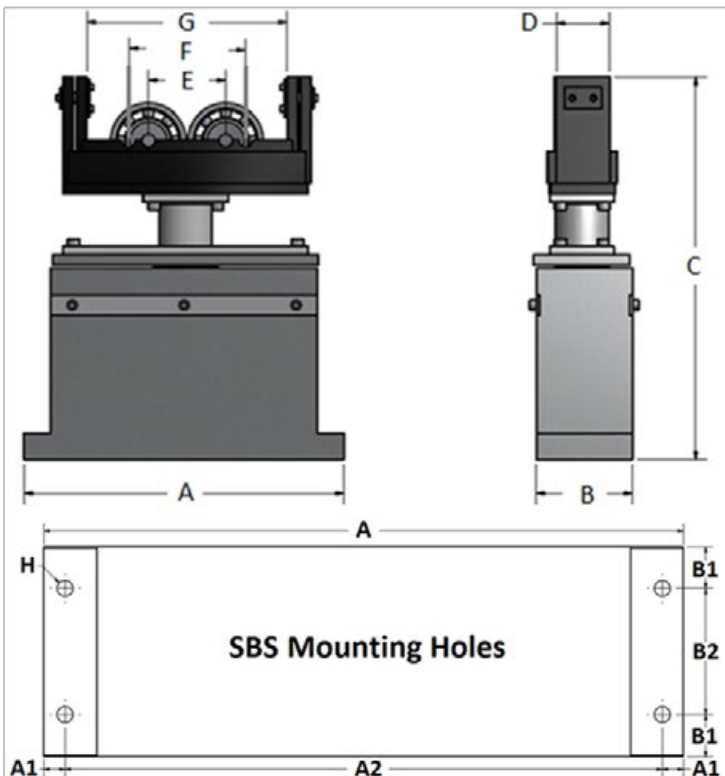


Characteristics

The SBS-1000 can support up to 2 000kg (1000kg each base) and the bearings have 2 positions permitting diameters up to 203mm (8in). The SBS has an elevation screw to adjust the height in case the rotor supports have different diameters up to 25.4 mm (1in), that also improve leveling.

Technical Specs

Max symmetric load	2000 kg (4400 lb) Pair / 1000 kg (2200 lb) Unit
Minimum load	5 kg (11 lb) / Par
Dimensions (L x W x H)	381 x 114 x 457 mm (15 x 4.5 x 18 in)
Weight	35 kg (77 lb) / Unit
Maximum axial load	147 N (33 lbf)
Bearing width	38 mm (1.5 in)
Maximum shaft diameter	25.4 mm (1 in)
Maximum shaft diameter <small>With negative load supports</small>	203 mm (8 in)
Precision	0.01 g.mm/kg
Lock system	Yes
Elevation screw	12.70 mm (0.5 in)
Accelerometer	Optional



A	384 mm / 15.125"
A1	12.7 mm / 0.5"
A2	359 mm / 14.125"
B	127 mm / 5"
B1	25.4 mm / 1"
B2	76 mm / 3"

C	457 mm / 18"
D	63 mm / 2.5"
E	92 mm / 3.625"
F	117 mm / 4.625"
G	238 mm / 9.375"
H	12.7 mm / 0.5"

SBS-4500



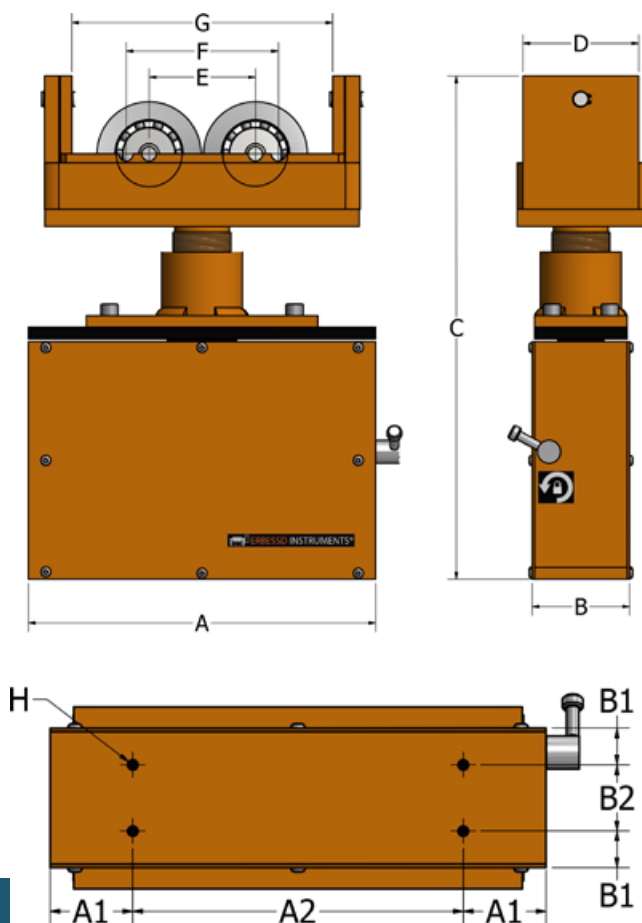
With the **SBS-4500** you can balance from 30kg to 4.5 tons with a quality grade better than **ISO G1.0**

Characteristics

The SBS-4500 can support up to 4500kg (2250kg each base) and the bearings have 2 positions permitting diameters up to 254mm (10in). The SBS has an elevation screw to adjust the height in case the rotor supports have different diameters up to 38.1 mm (1.5in), improving leveling.

Technical Specs

Max symmetric load	4 500 kg (9 920 lb) Pair / 2 250 kg (4 960 lb) Unit
Minimum load	10 kg (22 lb) / Pair
Dimensions	look diagram
Weight	78 kg (172 lb) / Unit
Maximum axial load	340 N (77 lbf)
Bearing width	38 mm (1.5 in)
Maximum shaft diameter	25.4 mm (1 in)
Maximum shaft diameter <small>With negative load supports</small>	279.4 mm (11 in)
Precision	0.01 g.mm/kg
Lock system	Yes
Elevation screw	38.1 mm (1.5 in)
Acelerometer	Optional



A	381 mm / 15"
A1	63.5 mm / 2.5"
A2	254 mm / 10"
B	101 mm / 4"
B1	25.4 mm / 1"
B2	50 mm / 2"

C	530 mm / 21"
D	127 mm / 5"
E	117mm / 4.6"
F	167 mm / 6.57"
G	286 mm / 11.275"
H	7.94 mm / 0.3125"

SBS-6000

Balance from 50kg to 6 tons with **SBS-6000** obtaining a quality grade superior to **ISO G1.0**



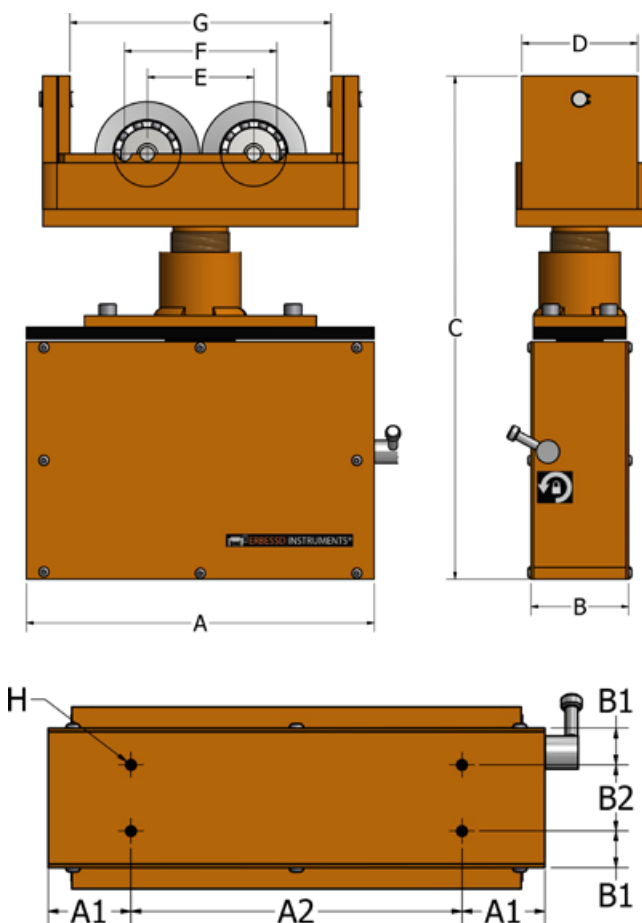
Characteristics

The SBS-4500 can support up to 6000kg (3000kg each base) and the bearings have 2 positions permitting diameters up to 320.7mm (12.62in). The SBS has an elevation screw to adjust the height in case the rotor supports have different diameters up to 45.72 mm (1.8in), improving load leveling.

Technical Specs

Max symmetric load	6 000 kg (13 228 lb) Pair / 3 000 kg (6 614 lb) Unit
Minimum load	15 kg (33 lb) / Pair
Dimensions	Look diagram
Weight	119 kg (263 lb) / Unit
Maximum axial load	626 N (140 lbf)
Bearing weight	69.85 mm (2.75 in)
Maximum shaft diameter	25.4 mm (1 in)
Maximum shaft diameter <small>With negative load supports</small>	320.7 mm (12.625 in)
Precision	0.01 g.mm/kg
Lock system	Yes
Elevation screw	45.72 mm (1.8 in)
Acelerometer	Optional

A	482.6 mm / 19"	C	566.4 mm / 22.30"
A1	50.8 mm / 2.00"	D	152.4 mm / 6.00"
A2	381 mm / 15"	E	108 mm / 4.56"
B	101 mm / 4"	F	190.5 mm / 7.50"
B1	38.1 mm / 1.5"	G	320.6 mm / 12.62"
B2	76.2 mm / 3"	H	12.7 mm / 0.50"



Accessories

The soft bearing suspension **SBS Series** has a wide range of accessories and spare parts that maintain the performance and the reliability of your equipment.

Negative load supports



Required to ensure rotors with high levels of vibration like crankshafts. Every support includes bearings with adjustable height.

Bearings Set



The Bearings permit the shaft to rotate freely in its own axis in order to complete high-precision dynamic balancing. Every set contains 4 bearings that adjust perfectly with the SBS

Accelerometer



Accelerometer with sensitivity of 100 or 500 mV/g fabricated in stainless steel, for use indoors or outdoors.

DigivibeMX



The DigivibeMX family of products feature simple easy-to-use vibration analysis and dynamic balancing solutions. From simple analysis to complex 3D ODS vibration simulation